



676 Mendelssohn Ave N • Golden Valley, MN 55427 • 1.866.252.2568 • www.AmericanTrackSupply.com

AMERICAN TRACK SUPPLY SPECIFICATIONS INFORMATION

Spec Sheet for American Track Supply Tracks and Hardware.....	1
Cut Sheet for American Track Supply Tracks.....	2
American Track Supply Tracks Installation.....	3
Care & Cleaning Instructions.....	4
Warranty & Return Policy	7

AMERICAN TRACK SUPPLY TRACKS ARE PERFECT FOR:

- Laser labs
- Photo labs
- Security rooms
- Post offices
- Hospitals
- Clinics
- Prisons
- Universities
- Photographers
- Government agencies
- Airport security
- University labs
- Science labs
- Test labs
- Sleep study labs
- Detention facilities

... and many more!

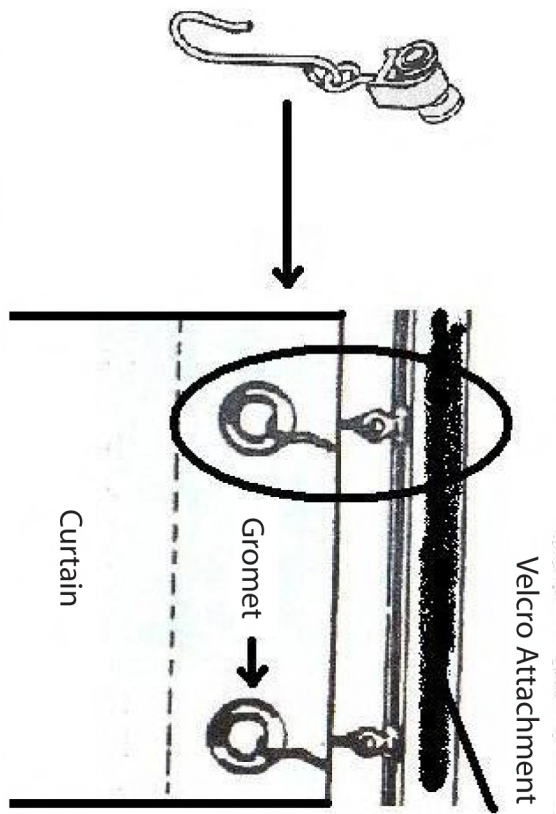
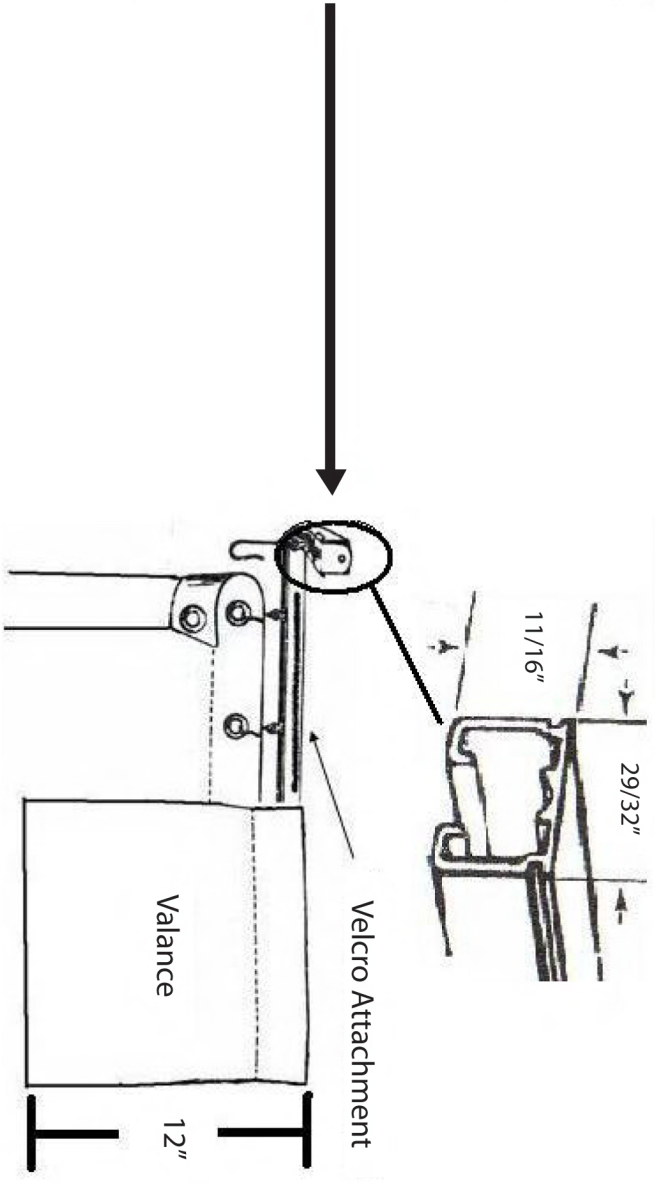
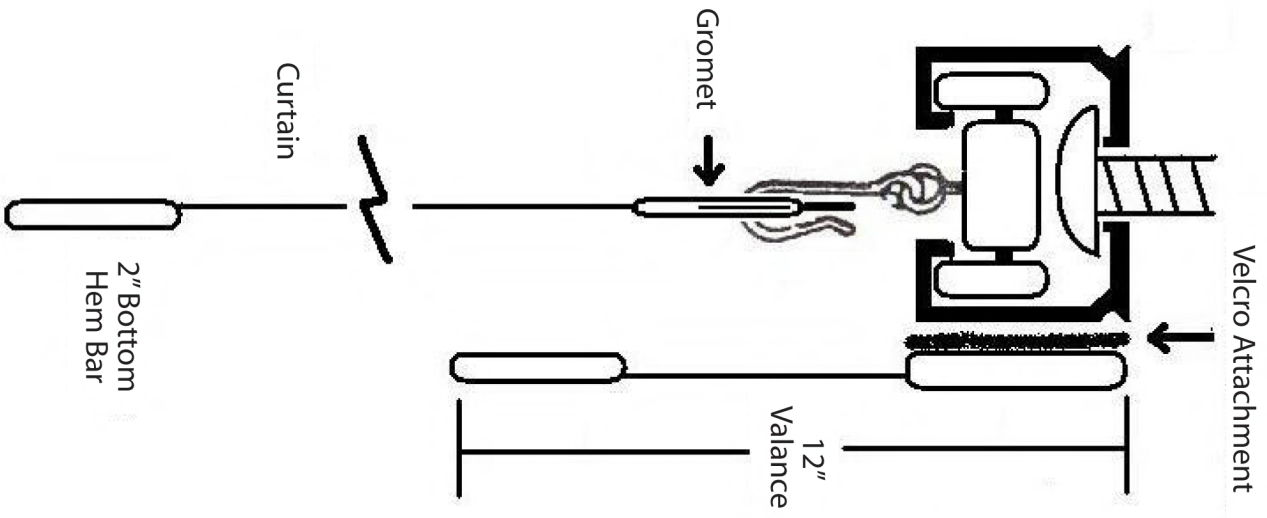
Call **1.866.252.2568** and we can provide you with track and hardware. Our friendly operators are available during normal business hours of 6:00 - 6:00 CST, Monday through Friday.

SPECIFICATIONS FOR AMERICAN TRACK SUPPLY TRACKS AND HARDWARE

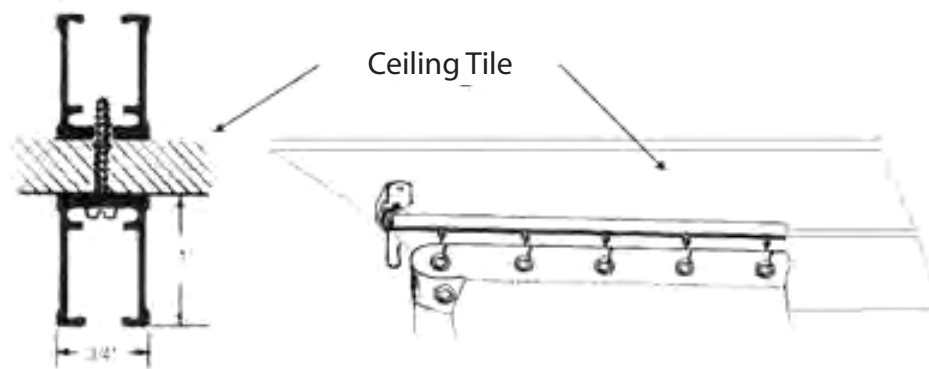
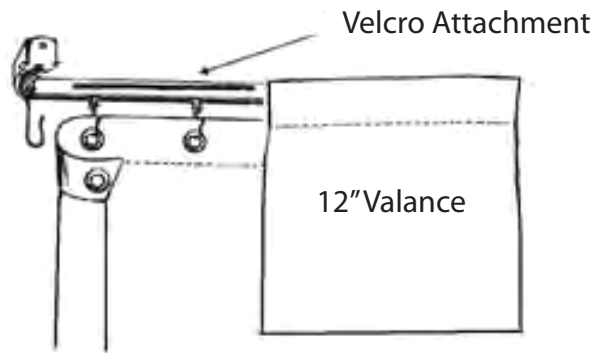
TRACK MATERIAL AND ASSEMBLY:

1. Track to be 29/32" X 11/16" x .050 extruded 6063-T-5, anodized aluminum. Inner surface is center ridge-grooved. Tracks can be bent or curved. Bends will be approx. 14: radius. The track shall also serve as an intergral part of the valance assembly. Supply with hook carriers, end-caps, knock-outs, and connectors, of the sleeve type. Carrier body and wheels of Celcon. Eye and hook of .093 bright basic wire, nickel plated.
2. Double curtains installation (in specific uses) :Provide (2) parallel tracks for double curtain installation.

AMERICAN TRACK SUPPLY TRACKS CUT SHEET



AMERICAN TRACK SUPPLY TRACK INSTALLATION



CARE AND CLEANING INSTRUCTIONS

CUBICLE TRACKS:

Cubicle tracks require very little maintenance. If carriers do not move smoothly, check the track for binding. If the track is clear of debris, spray the inside of the track with a light coating of silicone spray.

Be careful not to spray the curtains. Wipe any excess spray from the track.

LIMITED WARRANTY AND RETURN POLICY

LIMITED WARRANTY

AmericanTrackSupply.com, Inc. ("AmericanTrackSupply.com") warrants (this "Limited Warranty") to the AmericanTrackSupply.com Authorized Customer (the "Customer") that its products are free from defects in material and workmanship (except as provided below) for the following specified warranty periods (each, a "Warranty Period"):

- 25 years for the interior project for which it was originally purchased from the date of shipment on the mounting hardware, headbox, clutch and curtain track.

This Limited Warranty extends only to the Customer, and is not transferable. This Limited Warranty is applicable to products that are repaired or replaced for the balance of the Warranty Period or for ninety (90) days from the date the product is repaired or replaced, whichever is longer. If a product breaches this Limited Warranty, the Customer may return it to AmericanTrackSupply.com within a reasonable time after the Customer discovers the defect. Subject to the conditions and limitations set forth below (the "Excluded Items"), AmericanTrackSupply.com will, at its discretion, either repair or replace any part of the product that proves defective by reason of improper workmanship or materials. If the Customer returns a product to AmericanTrackSupply.com and AmericanTrackSupply.com determines that this Limited Warranty does not apply, AmericanTrackSupply.com will not return the product to the Customer unless the Customer requests it to do so and pays all expenses of shipment. If Customer does not request and pay for AmericanTrackSupply.com to return the product, it will become AmericanTrackSupply.com's property. Any product covered by this Limited Warranty (as determined by AmericanTrackSupply.com) will, after repair or replacement, be shipped back to the Customer at AmericanTrackSupply.com's expense.

AMERICANTRACKSUPPLY.COM'S TOTAL LIABILITY UNDER THIS OR ANY OTHER WARRANTY, EXPRESS OR IMPLIED, IS LIMITED TO REPAIR, REPLACEMENT OR REFUND. REPAIR, REPLACEMENT OR REFUND ARE THE SOLE AND EXCLUSIVE REMEDIES FOR BREACH OF WARRANTY OR ANY OTHER LEGAL THEORY. IN NO EVENT SHALL AMERICANTRACKSUPPLY.COM BE LIABLE FOR ANY INCIDENTAL, INDIRECT OR CONSEQUENTIAL DAMAGES, WHETHER RESULTING FROM THE PURCHASE, USE, MISUSE, INABILITY TO USE OR INABILITY TO INSTALL THE PRODUCT OR FROM DEFECTS IN THE PRODUCT.

SOME STATES DO NOT ALLOW THE EXCLUSION OR LIMITATION OF INCIDENTAL AND CONSEQUENTIAL DAMAGES, SO THE ABOVE LIMITATION OR EXCLUSION MAY NOT APPLY. THIS LIMITED WARRANTY IS THE EXCLUSIVE WARRANTY GIVEN BY AMERICANTRACKSUPPLY.COM FOR THE PRODUCT AND IS IN LIEU OF ALL OTHER WARRANTIES. AMERICANTRACKSUPPLY.COM DISCLAIMS ALL OTHER WARRANTIES, WHETHER EXPRESS, IMPLIED OR STATUTORY, INCLUDING ANY WARRANTY OF MERCHANTABILITY, ANY WARRANTY OF FITNESS FOR A PARTICULAR PURPOSE AND ANY IMPLIED WARRANTIES ARISING FROM A COURSE OF DEALING OR USAGE OF TRADE. THIS WARRANTY SUPERSEDES ALL OTHER WARRANTIES, INCLUDING ANY WARRANTIES BASED ON ORAL REPRESENTATIONS.

THIS LIMITED WARRANTY GIVES THE CUSTOMER SPECIFIC LEGAL RIGHTS, AND THE CUSTOMER MAY HAVE OTHER RIGHTS WHICH VARY FROM STATE TO STATE.

EXCLUDED ITEMS

THIS LIMITED WARRANTY DOES NOT COVER DEFECTS CAUSED BY negligence; improper maintenance; improper storage; accident; misuse; installation not in accordance with AmericanTrackSupply.com's printed installation instructions; abuse; impact or other force, whether prior or subsequent to installation; operation in a manner contrary to design or use in a manner contrary to or in excess of AmericanTrackSupply.com's specifications, drawings or instruction; application other than intended use; use with electrical accessories or parts, including switches, relays, or other accessory components not previously approved in writing by AmericanTrackSupply.com; failure to comply with all of AmericanTrackSupply.com's written instructions and specifications; use for non-interior applications or exposure to outdoor environmental conditions; improper cleaning, maintenance, care or repair; normal wear and tear; fire, lightning, tornadoes, or other acts of God; contact with liquid, water, rain, extreme humidity or heavy perspiration, sand, dirt or the like, extreme heat, or food; excessive electrical supply; abnormal mechanical or environmental conditions; unauthorized disassembly, repair or modification; service by unauthorized provider; installation of unapproved third party products; buyer's remorse. This Warranty also does not apply to any product on which the original identification information has been altered, obliterated or removed, or has been sold as second-hand. AmericanTrackSupply.com does not warrant any images or artwork reproduced, printed, or placed on shade cloth by AmericanTrackSupply.com or any other imaging supplier. AmericanTrackSupply.com is not responsible or liable for fading, discoloration, color shifts, or any other failure or defect in such images or artwork. AmericanTrackSupply.com does not warrant bead chains on any of its products. AmericanTrackSupply.com does not warrant against freight damage, concealed or otherwise. The Customer must contact the delivering carrier to report freight damage within 48 hours of receipt of product. Failure to report freight damages within the carrier's guidelines may result in the Customer bearing all costs. Failure to sign the delivery receipt acknowledges approval of the product as is and nulls the Customer's claim.